



100% Online high-speed inspection of Silica Desiccant Canisters at a speed of 14,000 canisters per hour

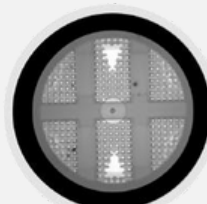
Key Benefits

- Automation** enabling 100%, high speed inspection, resulting in assured quality, repeatability and reliability.
- Huge Savings** in Labour cost resulting in faster payback on investment.
- Customised** reporting to enable compliance.
- Onsite and online service** and training Support.

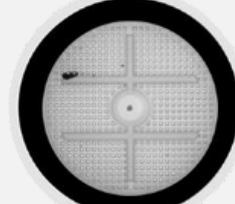
Defects detected

- Mesh Breakage
- Black Spots
- Flashes/ Extra material
- Ovality Short molding
- No Label
- Label width
- Label Up & down
- Label Fold
- Reverse Cap
- Improper cap
- Double label

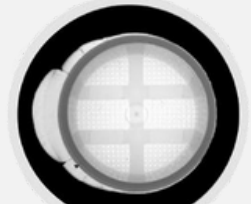
Defects Detected



Mesh Breakage



Black Spot



Flash



Short Moulding



No Label



Label width



Label Up & down



Label Fold



Reverse Cap



Improper cap

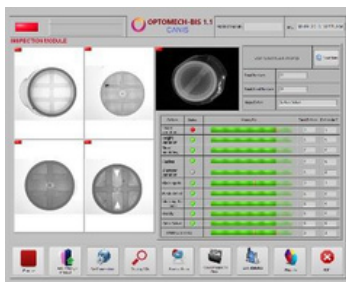


Double label

CANIS - CANISTER INSPECTION MACHINE

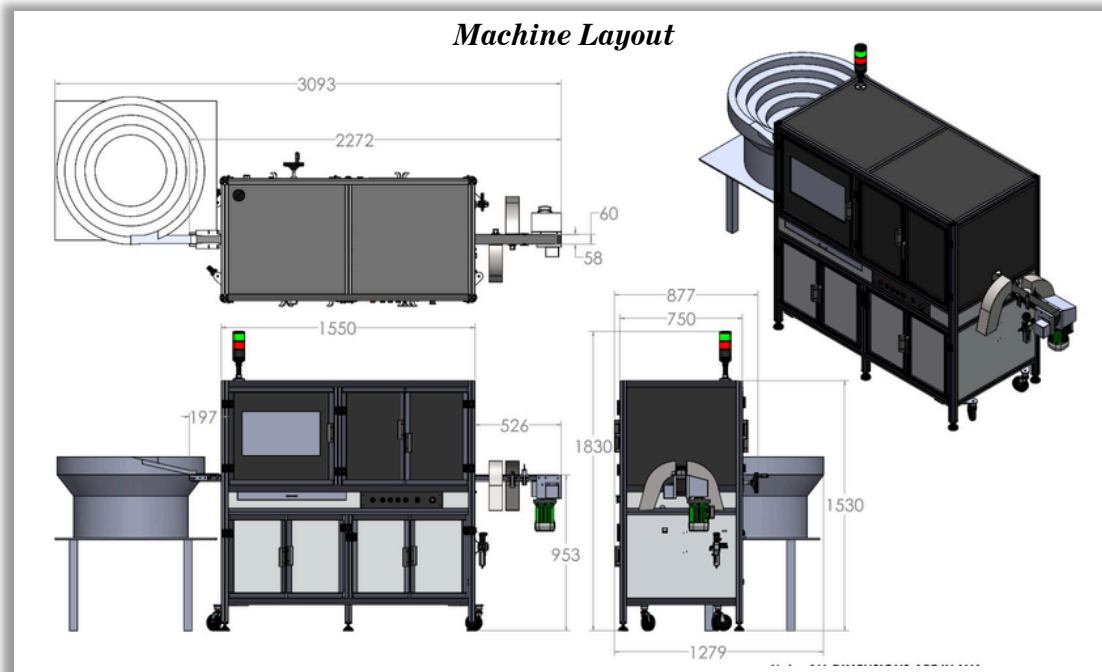
High speed online inspection of Silica Desiccant Canisters

Salient Features



- High speed, machine vision cameras, precision optics and customized lighting for clear, high resolution imaging.
- Operator friendly large screen touch screen interface, displays the images of the cups as they are passing through, rejected cups images are saved for future reference.
- Inspection Screen displays graphically the last 100 defects detected to enable operator to discover and fix potential problems in real time
- Easy to define tolerances allows the user to set acceptance/Rejection Criteria as per customer's Specifications
- 3 Level access control for User, Supervisor, Administrator thru separate passwords
- Reports as per user defined frequency can be generated.
- Remote access to the systems to enable online support.

Machine Layout



Some of our esteemed customers

ALPHA

Mullackal



SSF PLASTICS

GOVILS GOPALDAS VISRAM & CO. LTD.
A WHO GMP Accredited Company

HETERO

HSIL

CREATIVE

PRAVESHA
Packaging... Life Like.

Parekhplast
INDIA LIMITED

OPTOMECH
Your Quality Our Vision

Optomech Engineers Pvt Ltd
3A Type II, I.E Kukatpally, Hyderabad 500072, Telengana, India.
Ph: +91 40 23078371 sales@optomech.in www.optomech.in

We reserve the right to modify the product specifications, in the interest of product development