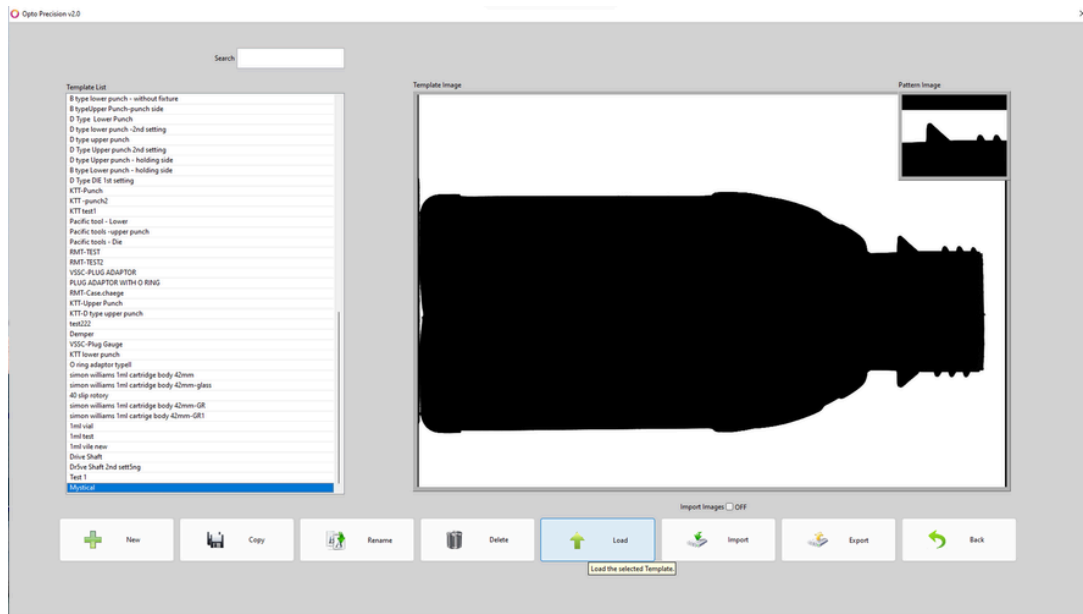




PLACE.VALIDATE.ANALYZE

PBMS is a fully automatic system for measuring the geometric characteristics of the Plastic bottles



Key Benefits

- **100% automated, high-speed inspection** ensuring assured quality, and long-term reliability.
- **Significant reduction in labour costs**, resulting in faster payback on investment (ROI).
- **Customizable inspection reports** designed to meet customer, audit, and regulatory compliance requirements.
- **Comprehensive onsite and online service & training support**, ensuring smooth operation and maximum uptime.

Measurements

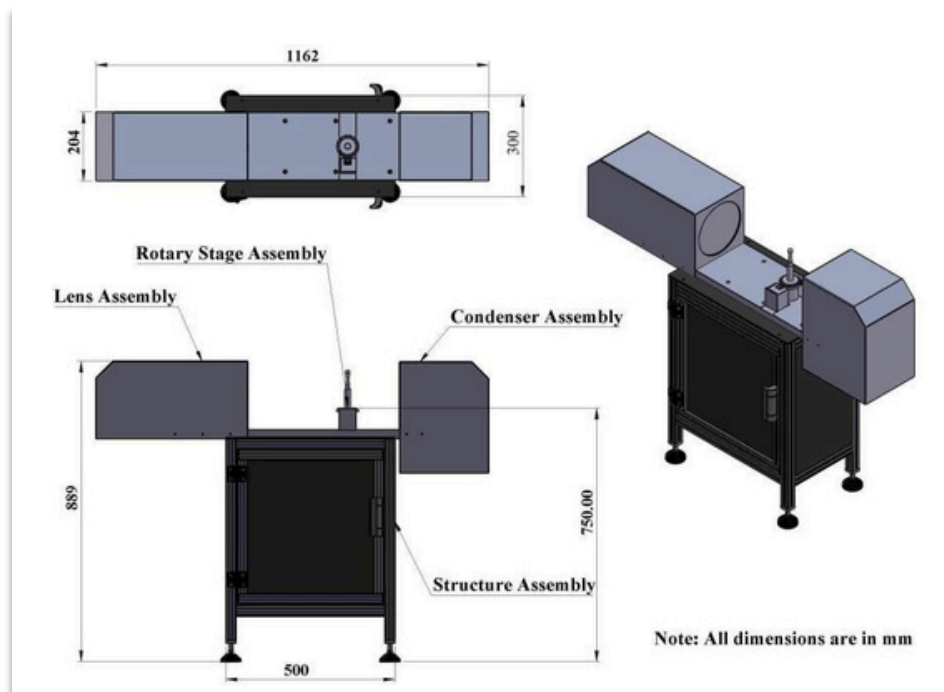
1. Prepare Template and save
2. Place Component on stage
3. Select Template and Load
4. Inspect
5. Get inspection results
6. Inspect Multiple Components - Remove component from stage and place another component
7. Get inspection results of multiple components

Salient Features

- High resolution camera, precision telocentric optics and precision collimated lighting for clear, high resolution imaging.
- Automatic measurement of 2-dimensional production parts in seconds.
- Operator friendly large screen interface.
- Easy to define tolerances allows the user to set acceptance/Rejection Criteria as per customer's Specifications.
- 3 Level access control for User, Supervisor, Administrator through separate passwords
- Reports as per user defined frequency can be generated.
- Remote access to the systems to enable online support.



Machine Layout



Plastic Bottle Measurement System

Model	PBMS 120	PBMS 90	PBMS 65
Image pickup device	1", 20 Mega pixel monochrome CMOS		
Display	21.5" LCD monitor (FHD: 1920x1080)		
Video projection lens	Double telecentric lens		
Field of view	120 x 79 (5.9"x 3.1") 145 mm	92 mm x 60 mm (3.6"x 2.36") 110 mm Diagonal	65 mm x 43 mm (2.5"x 1.7") 78 mm Diagonal
Least count of measurement	1 µm	1 µm	1 µm
Accuracy	+/- 5 µm*	+/- 5 µm*	+/- 5 µm*
Repeatability	+/- 5 µm*	+/- 4 µm*	+/- 4 µm*
Illumination system	Telecentric Collimated blue LED illumination		
External remote input	(optional)	(optional)	(optional)
External output	24v DC, 0.5 A (optional)	24v DC, 0.5 A (optional)	24v DC, 0.5 A (optional)
Interface	RJ-45 (for remote support) USB 3.0	RJ-45 (for remote support) USB 3.0	RJ-45 (for remote support) USB 3.0
Monitor output	HDMI, Display Port	HDMI, Display Port	HDMI, Display Port
Hard disk drive, for recording measurement data	512 GB SSD	512 GB SSD	512 GB SSD
Machine Size	1230(W)x590(D)x1765 (H)	1060(W)x540(D)x1600 (H)	9800(W)x500(D)x1470 (H)
Machine construction	Floor standing machine with pads with levelling adjust.		
Utilities	Electric: Voltage and Current: Ac 240V50/60 Hz 1 phase. Power load: 180VA max Power Consumption: 660 watts		



Optomech has a well-equipped optical and mechanical design and fabrication facility at its works at Hyderabad, which is ably supported by a team of motivated and trained engineers for installation, commissioning, training and after sales services of its equipment's.

Optomech specializes in the development and manufacturing of quality control equipment's based on optical and vision imaging technologies.

Some of our esteemed customers

